

PTS STANDARD SAMPLE HOLDER

Description

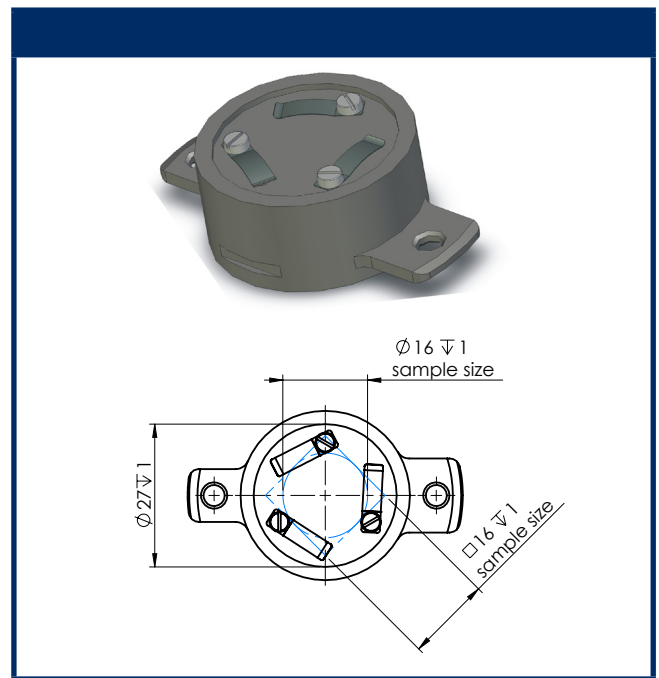
The PTS STANDARD sample holder for easy sample mounting and optional BIAS current measurement. PTS STANDARD is the base model for applications that do not require sample heating or cooling. The sample mounting table is made of titanium. The sample holder is compatible with the standard PTS receiving stations.

Application

Wide range of experiments.

Additional information

Sample BIAS current measurement option available.



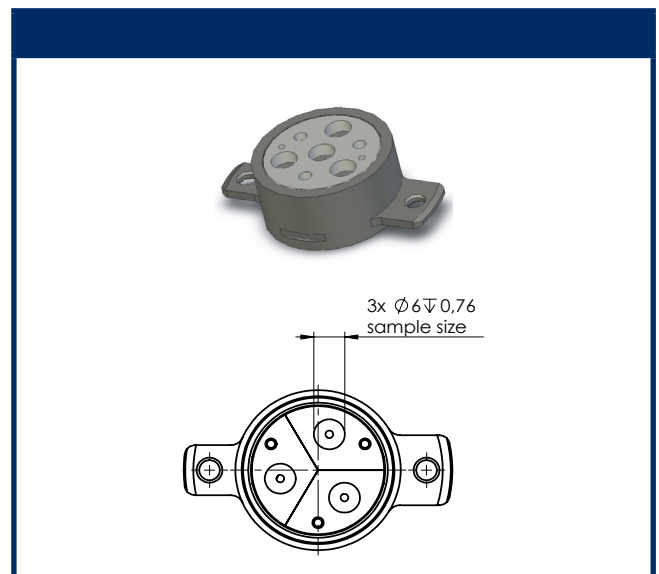
PTS PS SAMPLE HOLDER

Description

The PTS POWDER SAMPLE HOLDER is designed for powder samples that do not require heating or cooling.

Specification

For studies of powder samples.



PTS BASE CONTAINER SAMPLE HOLDER

Description

The PTS BASE CONTAINER SAMPLE HOLDER is designed as an adapter to accept samples up to 50mm diameter and 7.5mm thick.

Specification

Does not have heating or cooling facilities.

